

# 120X120X38 mm

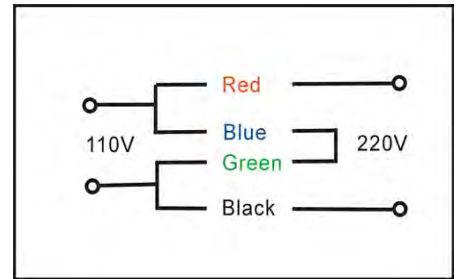
# JING DA FAN

**55 -100 CFM**

Frame : Aluminum alloy

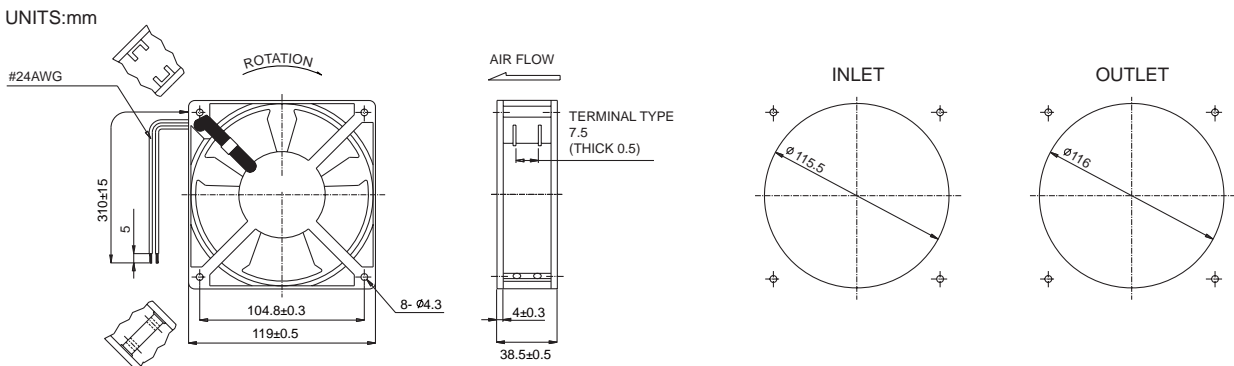
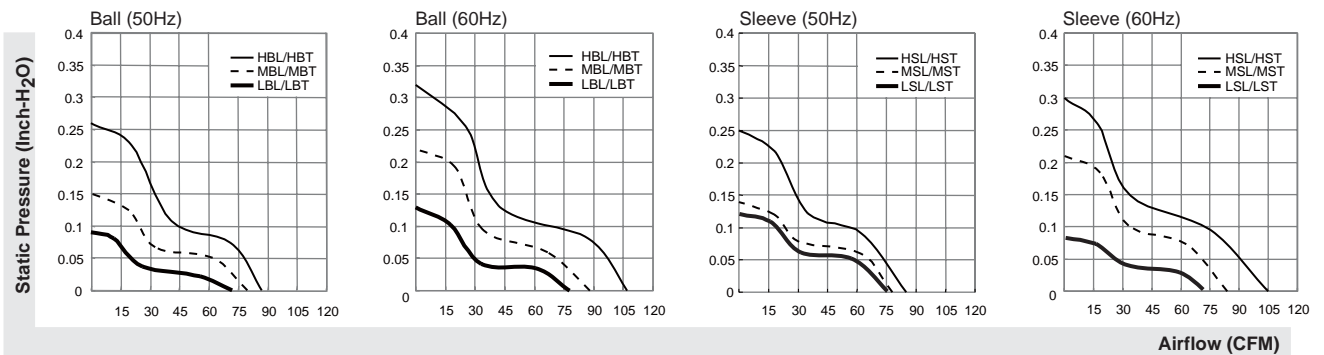


## Connection diagram



Model	P/N	Bearing ○ BALL ○ Sleeve	Rating Voltage (VAC)	Freq. (Hz)	Power Current (AMP)	Power Consumption (WATTS)	Speed (RPM)	Air Flow (CFM)	Static Pressure (Inch-H <sub>2</sub> O)	Noise (dBA)	Weight (g)
JD12038AC	JD12038ABHSL	○	110-220	50/60	0.21/0.10	22	2600/2800	70/90	0.25/0.30	43/46	480
JD12038AC	JD12038ABHBL	○	110-220	50/60	0.21/0.10	21.5	2600/2850	70/90	0.25/0.30	43/46	480

Remark: according to the AMP, left is the AMP for the 110V and the right for the 220V



- \* all model could be customized on voltage or any other requirements to fit your need
- \* [http:// www.jingdafan.com](http://www.jingdafan.com)