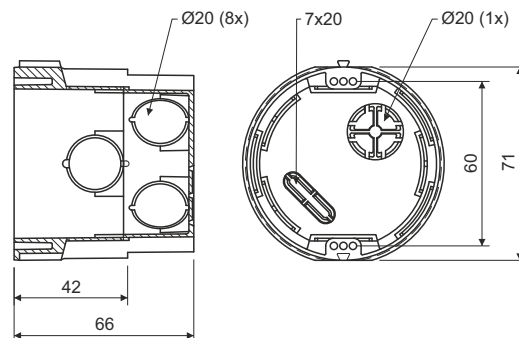
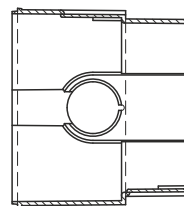


KPR 68



product description:

designed for distribution system with voltage 400 V and with maximum current 16 A
 easy installation of devices with big depth
 possibility to join into and continuous series with and spacing of 71 mm (up to 3 boxes)
 boxes can be joined with boxes KU 68-1901, KP 68/2 and KP 68
 possibility to easily clamp under the device using screwless terminals
 allows to install double-socket

material: PVC

color: gray

self-snuffing: yes, within 30 s

temperature resistance: -5 - +60 °C

flaming loop test: 850 °C

fire class for underlying material: A1-D

weight: 43 g

certification: EN 60 670-1

storage: ČSN 64 0090

configuration: KA - package: 10 pcs in foil, 100 pcs in cardboard

accessories:

- cover V 68
- blind cover ZV 68
- extending frames NR 68/6, NR 68/10
- screwless terminal plates TYP015, TYP016, TYP017, TYP018

auxiliary tools: non-hammered masonry cutter FR 68 SDS