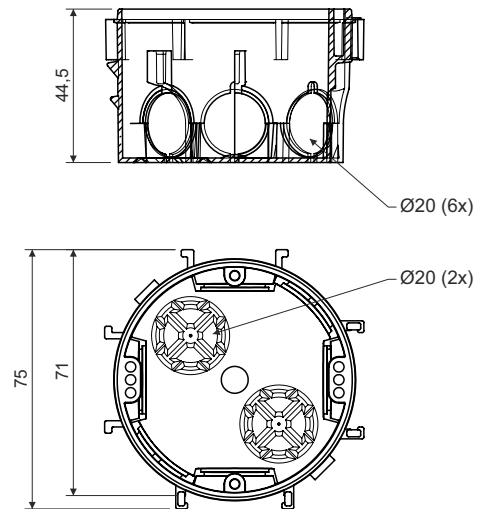


junction box

KP 67/3

product description:

designed for distribution system with voltage 400 V and with maximum current 16 A
 vertical and horizontal connection with a spacing of 71 mm (up to 5 boxes)
 when using the DR18 spacers, boxes are suitable for devices with larger widths, such as Neo
 suitable for 2x double frame (Element)
 allows to install double-socket

material: PVC

color: gray

self-snuffing: yes, within 30 s

temperature resistance: -5 - +60 °C

flaming loop test: 850 °C

fire class for underlying material: A1-D

weight: 31 g

certification: EN 60 670-1

storage: ČSN 64 0090

configuration: KA - device screws included in the package - package: 100 pcs loose in cardboard

accessories: cover V 68
 compensating spacer DR18
 extending frames NR 68/6, NR 68/10
 screwless terminal plates TYP015, TYP016, TYP017, TYP018