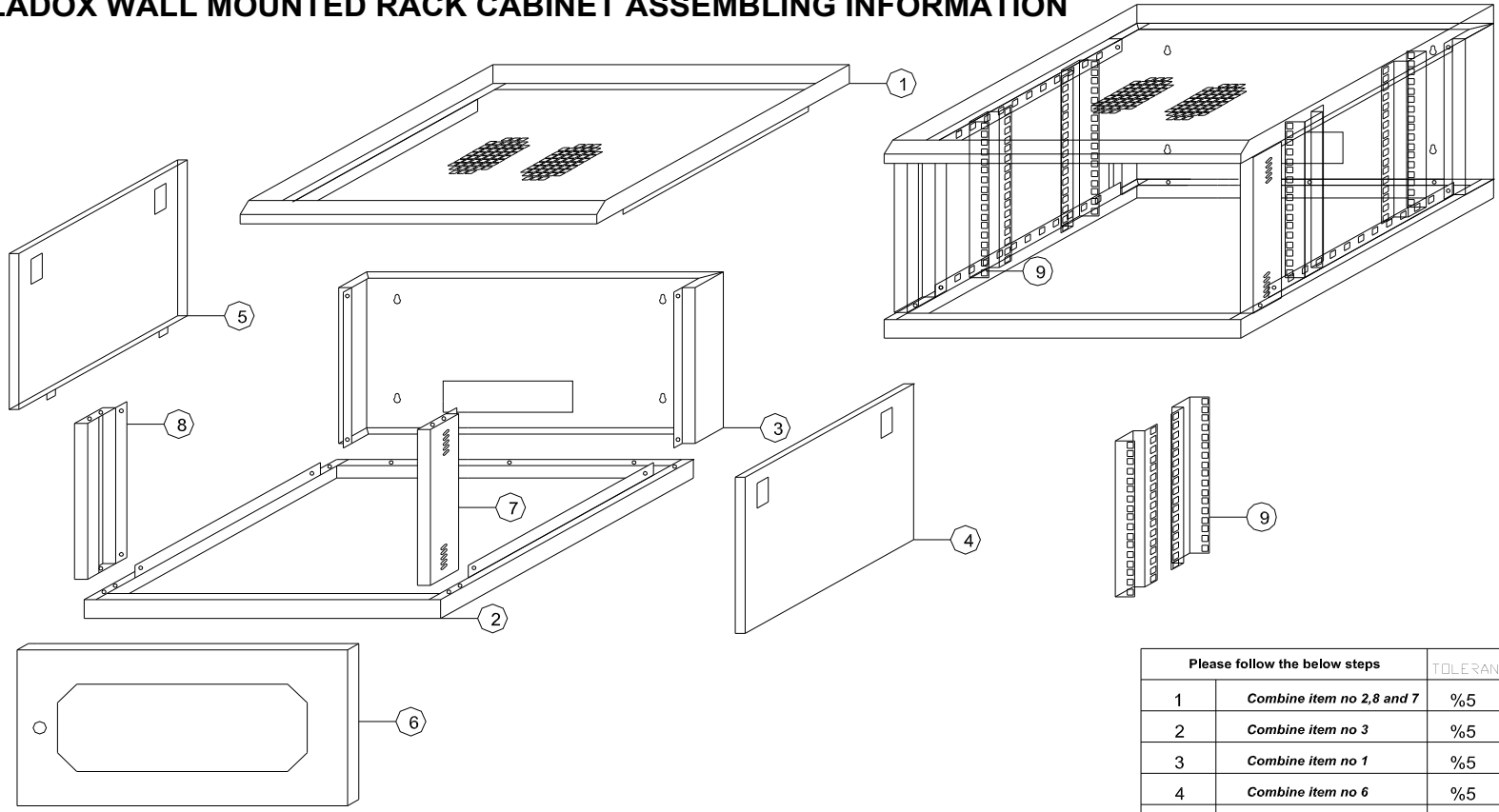


0 1 2 3 4 5 6 7 8 9

A
B
C
D
E
F
G
H
I
J
K
L

LADOX WALL MOUNTED RACK CABINET ASSEMBLING INFORMATION



Please follow the below steps		TOLERANS
1	Combine item no 2,8 and 7	%5
2	Combine item no 3	%5
3	Combine item no 1	%5
4	Combine item no 6	%5
5	Combine item no 4 and 5	%5
6	Combine item no 9	%5